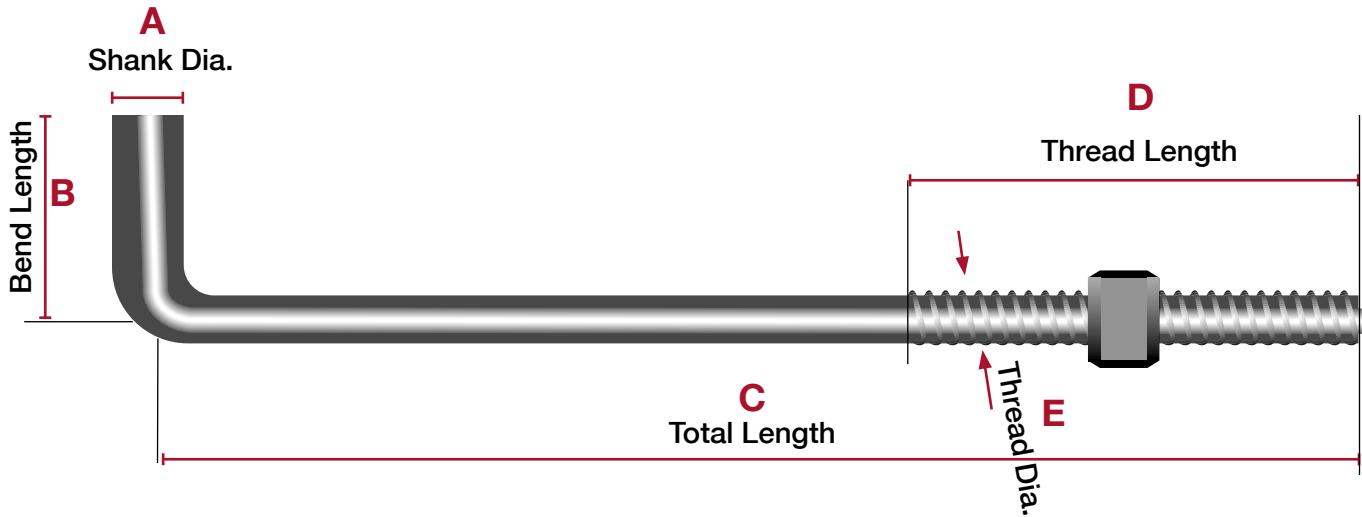


ANCHOR BOLTS



Size	Shank Dia. [A]	Thread Dia. [E]	Thread Length [D]	Bend Length [B]	Total Length [C]
1/2"	0.4410" – 0.4460"	0.485" – 0.498"	1.75" +0.24"	1.25" +0.12" / -0.062"	±0.12"
5/8"	0.5570" – 0.5620"	0.610" – 0.623"	3.75" +0.24"	1.5" +0.12" / -0.062"	±0.12"

ASTM A307, Grade C \ ASTM A153, Class C Galvanization

Available in 1/2" x 6, 8, 10, 12, & 18, or 5/8" x 8, 10, & 12 plain finish, or hot dip galvanized Anchor Bolts meet or exceed the minimum requirements of ASTM A307, Grade C Galvanized Anchor Bolts are coated in accordance with ASTM A153, class C

Anchor Bolts are used extensively in all types of construction projects to make structural attachments and connections. For installation guidance in masonry construction, consult your local building code official, BIA Technical Notes - 44, or the International Residential Code.

lintels@southatlanticllc.com
www.southatlanticlintels.com